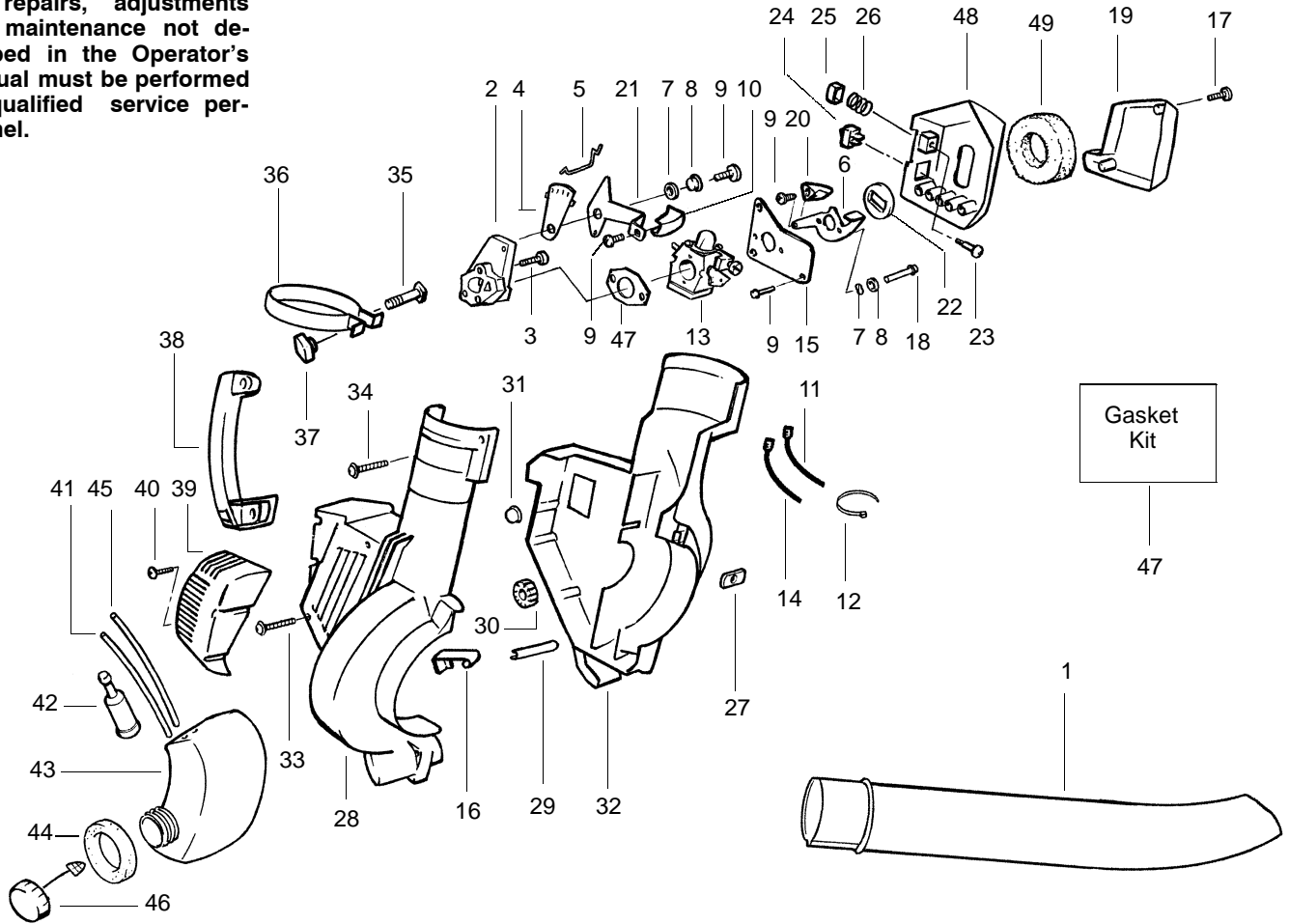


⚠ WARNING

All repairs, adjustments and maintenance not described in the Operator's Manual must be performed by qualified service personnel.

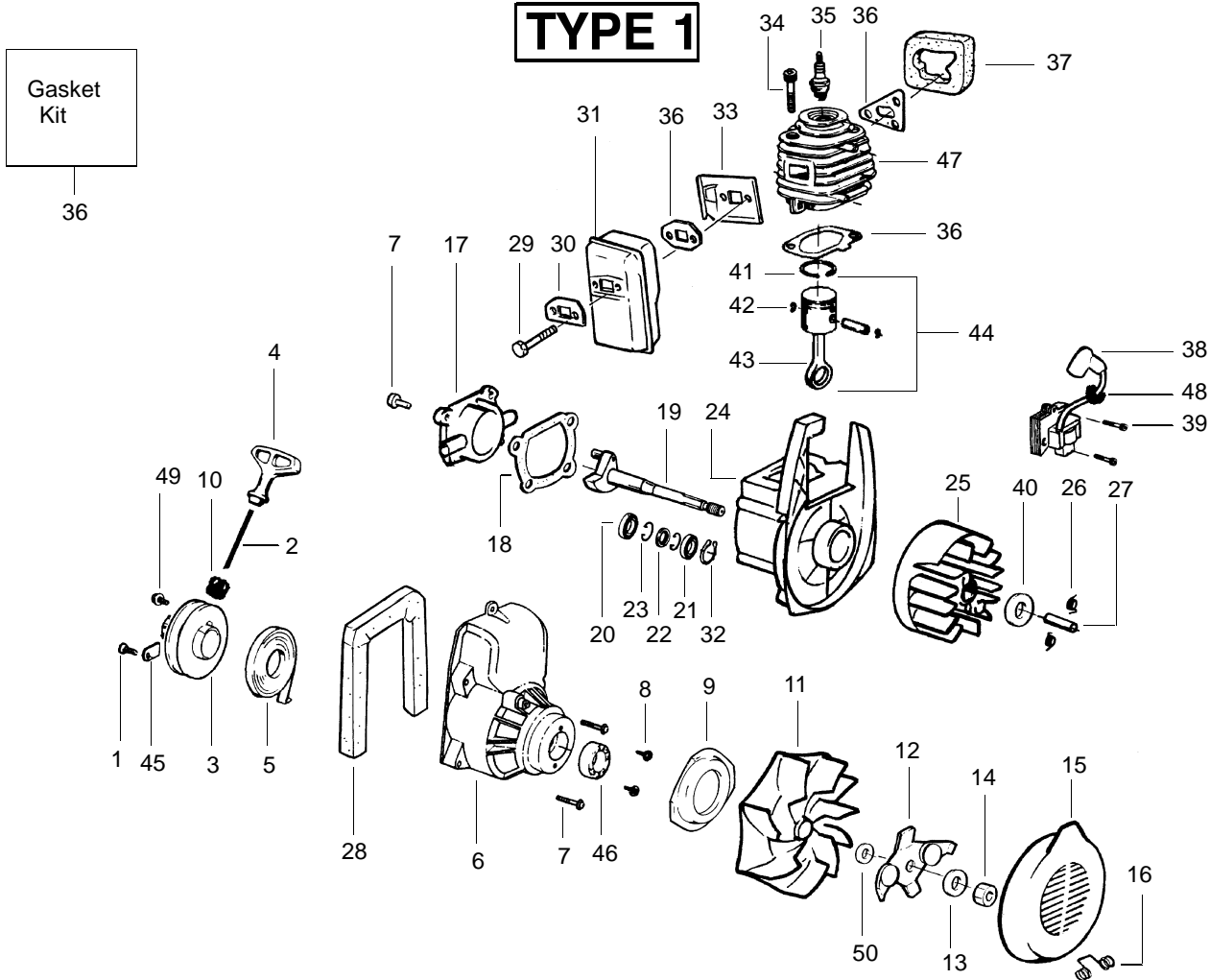
TYPE 1



| Ref. | Part No. | Description | Ref. | Part No. | Description |
|------|-----------|----------------------------|-----------|-----------|---------------------|
| 1. | 530095597 | Blower Tube | 28. | 530403154 | Housing-Right |
| 2. | 530049322 | Carburetor Adaptor | 29. | 530049617 | Guide Starter Rope |
| 3. | 530016014 | Screw | 30. | 530049323 | Isolator |
| 4. | 530049526 | Throttle Plate | 31. | 530036792 | Isolator |
| 5. | 530049324 | Throttle Linkage | 32. | 530403155 | Housing-Left |
| 6. | 530049834 | Choke Lever | 33. | 530015886 | Screw |
| 7. | 530015254 | Washer | 34. | 530015880 | Screw |
| 8. | 530015852 | Choke Spacer | 35. | 530015820 | Bolt |
| 9. | 530015775 | Screw | 36. | 530095592 | Clamp-Blower Tube |
| 10. | 530049837 | Knob-Throttle Lever | 37. | 530049885 | Knob |
| 11. | 530049495 | Leadwire-Switch | 38. | 530095469 | Handle |
| 12. | 530049494 | Wire Clamp | 39. | 530049879 | Muffler Cover |
| 13. | 530069924 | Carburetor Ass'y. (WA-229) | 40. | 530015880 | Screw |
| 14. | 530049496 | Leadwire-Ground | 41. | 530069247 | Line Kit-Carb/Purge |
| 15. | 530052293 | Choke Plate | 42. | 530095646 | Fuel Pick-up Ass'y. |
| 16. | 530402044 | Spring Cover Latch | 43. | 530049491 | Fuel Tank Ass'y. |
| 17. | 530015957 | Screw | 44. | 530049527 | Gasket-Fuel Tank |
| 18. | 530015849 | Screw | 45. | 530069216 | Line Kit-Tank/Purge |
| 19. | 530049315 | Air Box Cover | 46. | 530049386 | Fuel Cap w/Retainer |
| 20. | 530049836 | Knob-Choke Lever | 47. | 530069813 | Gasket Kit |
| 21. | 530049325 | Throttle Lever | 48. | 530049316 | Air Box |
| 22. | 530019246 | Filter-Choke Plate | 49. | 530049383 | Air Filter |
| 23. | 530016211 | Retainer-Purge Button | | | |
| 24. | 530069572 | Switch | | | |
| 25. | 530049838 | Purge Button | Not Shown | | Operator Manual |
| 26. | 530016212 | Spring-Purge Button | | 530087044 | Scan. |
| 27. | 530016207 | Nut | | 530087045 | Euro. |

✓ = NEW PART NUMBER FOR THIS IPL * = REFER TO THE SERVICE REFERENCE INDICATED FOR MORE INFORMATION. (LOCATED AT END OF IPL)

| | | | |
|-----------------------------|--------------------------------|-----------------------------|---|
| PARTS LIST NO. 530087127 | | PARTNER ® PARTS LIST | MODEL(S) BV24 |
| DATE 1/29/03 | Replaces 530087127-11/20/02 | | Note: Illustration may differ from actual model due to design changes |



| Ref. | Part No. | Description | Ref. | Part No. | Description | Ref. | Part No. | Description |
|------|-----------|--------------------------------|------|-----------|----------------------------|------|-----------|----------------------|
| 1. | 530015880 | Screw | 25. | 530039209 | Flywheel/Gasket Kit | 46. | 530032108 | Bearing |
| 2. | 530069232 | Rope Kit | 26. | 530023817 | Spring-Starter Dog | 47. | 530069865 | Cylinder |
| 3. | 530069885 | Starter Pulley Kit | 27. | 530016190 | Flywheel Spacer | 48. | 530019182 | Grommet-Ign. Module |
| 4. | 530049488 | Starter Handle | 28. | 530049713 | Foam Seal | 49. | 530016080 | Screw-Starter Pulley |
| 5. | 530042086 | Starter Spring | 29. | 530016203 | Muffler Bolt | 50. | 530016240 | Washer-Belleville |
| 6. | 530054114 | Fan Housing w/bearing | 30. | 530049454 | Muffler Cover Plate | | | |
| 7. | 530015810 | Screw | 31. | 530052241 | Muffler Ass'y. | | | |
| 8. | 530015815 | Screw | 32. | 530015941 | Retainer Ring-C'chaft | | | |
| 9. | 530019240 | O-Ring | 33. | 530049502 | Muffler Shield | | | |
| 10. | 530029182 | Eyelet | 34. | 530015953 | Screw | | | |
| 11. | 530069817 | Impeller (Incl. 10) | 35. | 952030201 | Spark Plug (RCJ-8Y) | | | |
| 12. | 530095461 | Mulch Blade Ass'y. | 36. | 530069813 | Gasket Kit | | | |
| 13. | 530015828 | Washer-Flat | 37. | 530019247 | Air Dam | | | |
| 14. | 530626605 | Nut | 38. | 530052266 | Ignition Module | | | |
| 15. | 530049313 | Inlet Door | 39. | 530016208 | Bolt | | | |
| 16. | 530402043 | Spring-Return Cover | 40. | 530015149 | Washer | | | |
| 17. | 530049297 | Crankcase Cover | 41. | 530049903 | Piston Ring (2) | | | |
| 18. | 530019181 | Gasket-Crankcase Shroud | 42. | 530015162 | Retainer | | | |
| 19. | 530049429 | Crankshaft Ass'y. | 43. | 530069945 | Connecting Rod Ass'y. | | | |
| 20. | 530032125 | Inner Bearing | 44. | 530069812 | Piston Kit (Incl. 41 & 42) | | | |
| 21. | 530032124 | Outer Bearing | 45. | 530016226 | Pulley Retainer | | | |
| 22. | 530019179 | Crankcase Seal | | | | | | |
| 23. | 530015945 | Retaining Ring | | | | | | |
| 24. | 530069818 | Crankcase Ass'y. (Incl. 20-23) | | | | | | |
| | | | | | | | | |

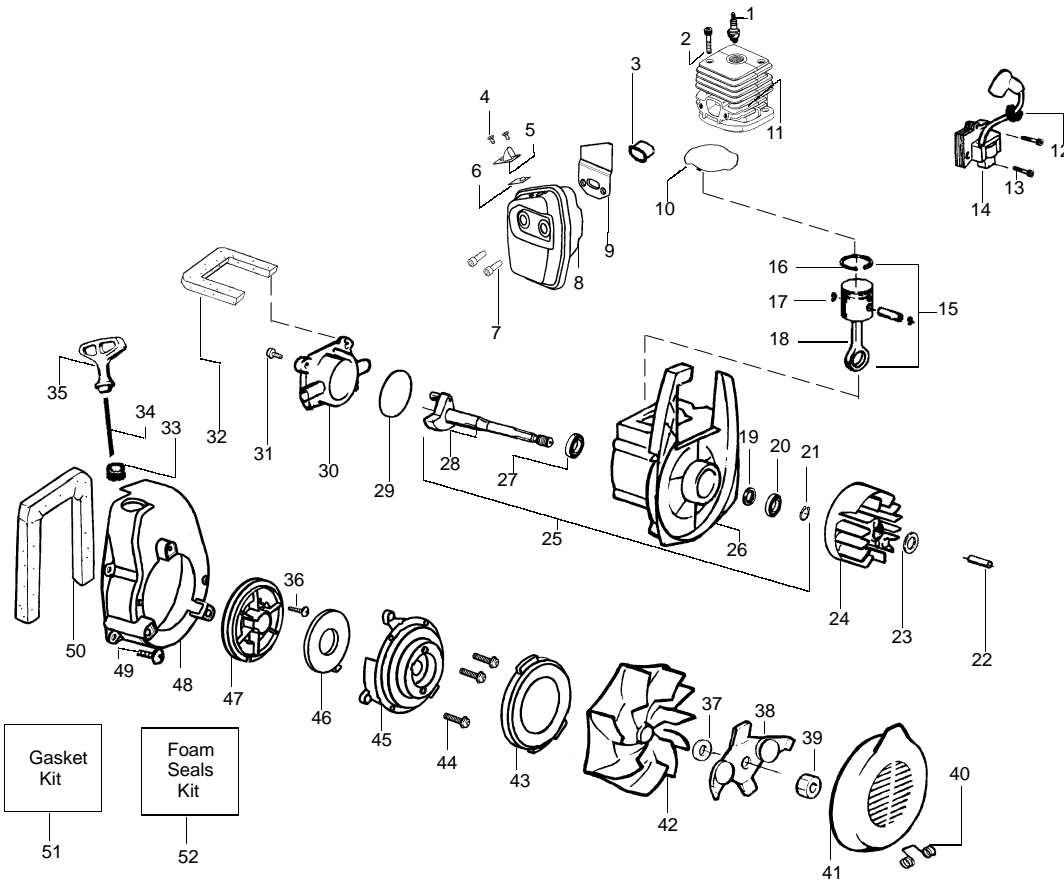
✓ = NEW PART NUMBER FOR THIS IPL

★ = REFER TO THE SERVICE REFERENCE INDICATED FOR MORE INFORMATION. (LOCATED AT END OF IPL)

TYPE 2



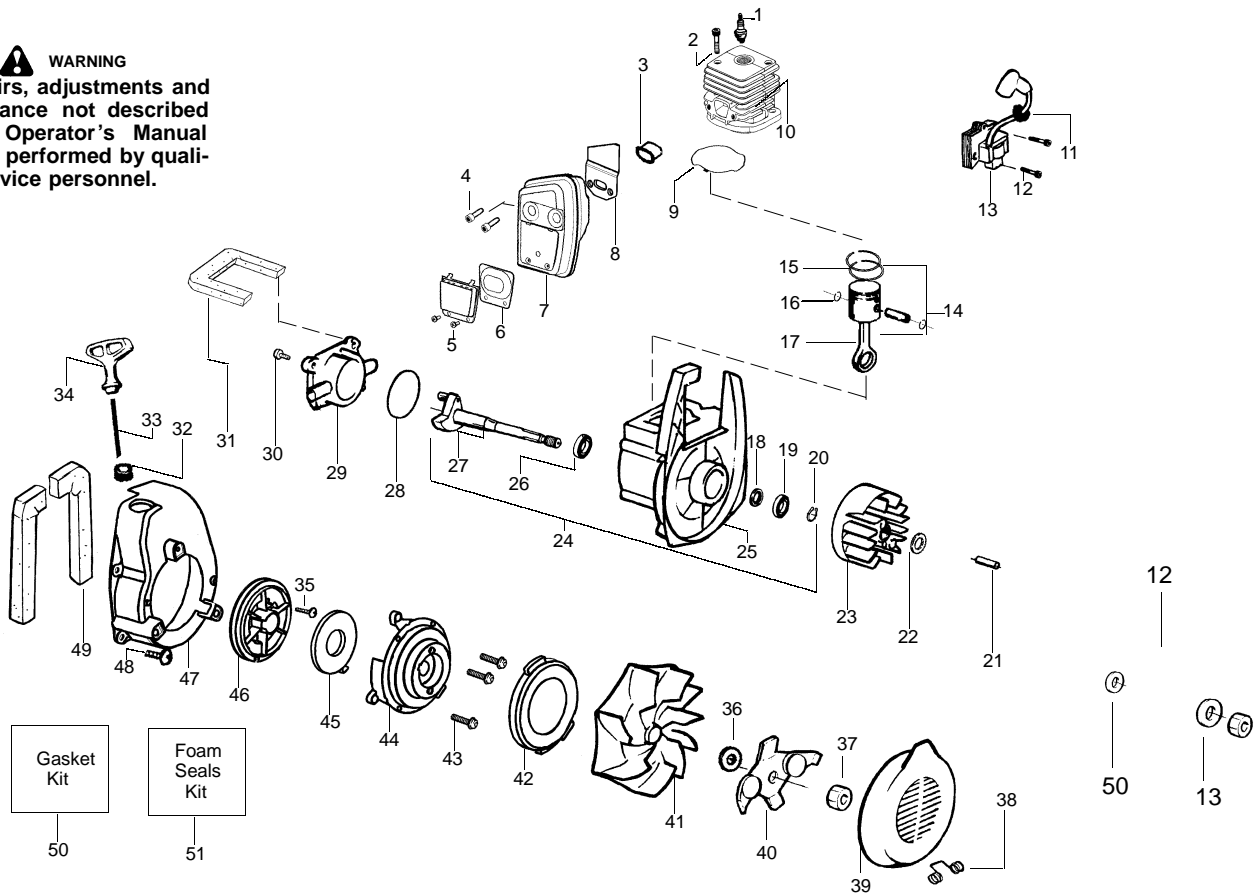
WARNING
All repairs, adjustments and maintenance not described in the Operator's Manual must be performed by qualified service personnel.



| Ref. | Part No. | Description | Ref. | Part No. | Description | Ref. | Part No. | Description |
|------|-----------|-----------------------------|------|-----------|---|------|-----------|---|
| 1. | 952030164 | Spark Plug (RCJ-6Y) | 20. | 530055728 | Bearing-Outer | 39. | 530626605 | Nut |
| 2. | 530015953 | Screw | 21. | 530015941 | Retainer Ring-C'haft | 40. | 530402043 | Spring-Return Cover |
| 3. | 530055191 | Insulator-Heat | 22. | 530016190 | Spacer-Flywheel | 41. | 530049313 | Door-Inlet |
| 4. | 530055240 | Screw | 23. | 530015149 | Washer | 42. | 530069817 | Kit-Impeller Assy |
| 5. | 530055241 | Deflector-Muffler | 24. | 530039209 | Assy-Flywheel | 43. | 530055106 | Seal-Ring |
| 6. | 530071461 | Kit-Spark Screen(incl. #4) | 25. | 530071456 | Assy-Crankcase/Crank shaft (incl. 21,26,28) | 44. | 530016349 | Screw |
| 7. | 530016341 | Screw-Muffler-Internal | 26. | 530012440 | Assy-Crankcase (Incl. 19,20,27) | 45. | 530055101 | Housing-Pulley |
| 8. | 530071499 | Kit-Muffler (incl. 4-6,7,9) | 27. | 530032125 | Bearing-Inner | 46. | 530042086 | Spring-Starter |
| 9. | 530071458 | Gasket-Baffle (Kit) | 28. | 530012452 | Assy-Crankshaft | 47. | 530071466 | Kit-Starter Pulley |
| 10. | 530071458 | Gasket-Cylinder (Kit) | 29. | 530071458 | O-ring-C/case (Kit) | 48. | 530055102 | Housing-Fan |
| 11. | 530071457 | Kit-Cylinder | 30. | 530012443 | Cover-Crankcase | 49. | 530015810 | Screw |
| 12. | 530019182 | Grommet-Ign. Module | 31. | 530015810 | Screw | 50. | 530071459 | Foam-365mm (Kit) |
| 13. | 530016357 | Screw-Ignition Module | 32. | 530071459 | Foam-219mm (Kit) | 51. | 530071458 | Kit-Gasket (includes #9,10,29, adaptor gas ket, & carb. gasket) |
| 14. | 530035505 | Module-Ignition | 33. | 530029182 | Eyelet-Flange | 52. | 530071459 | Kit-Foam Seals (includes #32,50, air dam & Fuel line grommet) |
| 15. | 530069812 | Kit-Piston (Incl. 16 & 17) | 34. | 530071467 | Kit-Rope | | | |
| 16. | 530055120 | Ring-Piston | 35. | 530049488 | Handle-Starter | | | |
| 17. | 530015162 | Retainer-Piston Pin | 36. | 530016326 | Screw-Rope | | | |
| 18. | 530069945 | Assy-Connecting Rod | 37. | 530016240 | Washer-Belleville | | | |
| 19. | 530019264 | Seal-Crankcase | 38. | 530095461 | Assy-Mulch Blade | | | |

TYPE 3

WARNING
All repairs, adjustments and maintenance not described in the Operator's Manual must be performed by qualified service personnel.



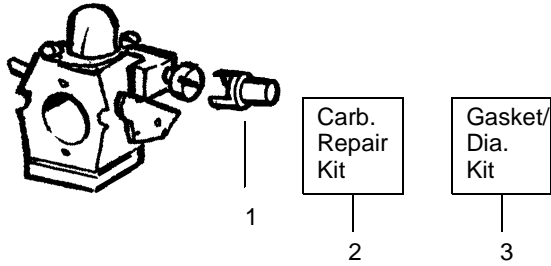
| Ref. | Part No. | Description | Ref. | Part No. | Description | Ref. | Part No. | Description |
|------|-----------|--------------------------------|------|-----------|---|------|-----------|---|
| 1. | 952030249 | Spark Plug (RCJ-6Y) | 21. | 530016190 | Spacer-Flywheel | 40. | 530095461 | Assy-Mulch Blade |
| 2. | 530015953 | Screw | 22. | 530015149 | Washer | 41. | 530069817 | Assy-Impeller |
| 3. | 530055191 | Insulator-Heat | 23. | 530039209 | Assy-Flywheel | 42. | 530056625 | Seal-Ring |
| 4. | 530016387 | Screw-Muffler-Internal | 24. | 530071456 | Assy-Crankcase/Crank shaft (incl. 20,25,27) | 43. | 530016349 | Screw |
| 5. | 530015241 | Screw | 25. | 530012492 | Assy-Crankcase (Incl. 18,19,26) | 44. | 530055101 | Housing-Pulley |
| 6. | 530071593 | Kit-Spark Screen (incl. #5) | 26. | 530032125 | Bearing-Inner | 45. | 530042086 | Spring-Starter |
| 7. | 530071600 | Kit-Muffler (incl. 4,5,6, & 8) | 27. | 530012452 | Assy-Crankshaft | 46. | 530071466 | Kit-Starter Pulley |
| 8. | 530071458 | Gasket-Baffle (kit) | 28. | 530071458 | O-ring-C/case (kit) | 47. | 530055102 | Fan Housing |
| 9. | 530071458 | Gasket-Cylinder (kit) | 29. | 530012443 | Cover-Crankcase | 48. | 530015810 | Screw |
| 10. | 530071457 | Kit-Cylinder | 30. | 530015810 | Screw | 49. | 530071459 | Foam-182mm (kit) |
| 11. | 530019182 | Grommet-Ign. Module | 31. | 530071459 | Foam-219mm (kit) | 50. | 530071458 | Kit-Gasket (page 3 incl. 2 & 5) (page 6 incl. 8,9, & 28) |
| 12. | 530016357 | Screw-Ignition Module | 32. | 530029182 | Eyelet-Flange | 51. | 530071459 | Kit-Foam Seals (page 3 incl. 1,16, & 32) (page 6 incl. 31 & 49) |
| 13. | 530035505 | Ignition Module | 33. | 530071467 | Kit-Rope | | | |
| 14. | 530069812 | Kit-Piston (Incl. 15 & 16) | 34. | 530049488 | Handle-Starter | | | |
| 15. | 530055120 | Piston Ring | 35. | 530016326 | Screw-Rope | | | |
| 16. | 530015162 | Retainer-Piston Pin | 36. | 530016240 | Washer-Belleville | | | |
| 17. | 530069945 | Assy-Connecting Rod | 37. | 530626605 | Nut | | | |
| 18. | 530071615 | Kit-Crankcase Seal | 38. | 530402043 | Spring-Return Cover | | | |
| 19. | 530055728 | Bearing-Outer | 39. | 530049313 | Inlet Door | | | |
| 20. | 530015941 | Retainer Ring-C'chaft | | | | | | |

✓ = NEW PART NUMBER FOR THIS IPL

★ = REFER TO THE SERVICE REFERENCE INDICATED FOR MORE INFORMATION. (LOCATED AT END OF IPL)

TYPE 1 ONLY

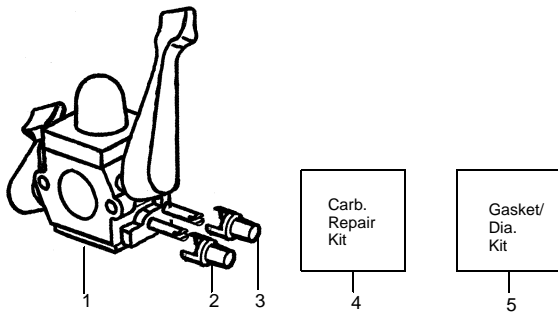
Carburetor Assembly Part # 530069924 - (WA-229)



| Key No. | Part No. | Description |
|---------|-----------|-----------------------|
| 1 | 530038403 | Limiter Cap |
| 2 | 530069842 | Carburetor Repair Kit |
| 3 | 530069845 | Gasket/Diaphragm Kit |

TYPE 2,3 ONLY

Carburetor Assembly Part # 530071465 - (C1Q-W11)



| Ref. | Part No. | Description |
|------|-----------|---------------------------|
| 1. | 530071465 | Assy-Carb. Zama (C1Q-W11) |
| 2. | 530038479 | Cap-Limiter (high) brown |
| 3. | 530038478 | Cap-Limiter (low) tan |
| 4. | 530071475 | Kit-Carb. Repair |
| 5. | 530071489 | Kit-Carb. Gasket (Zama) |

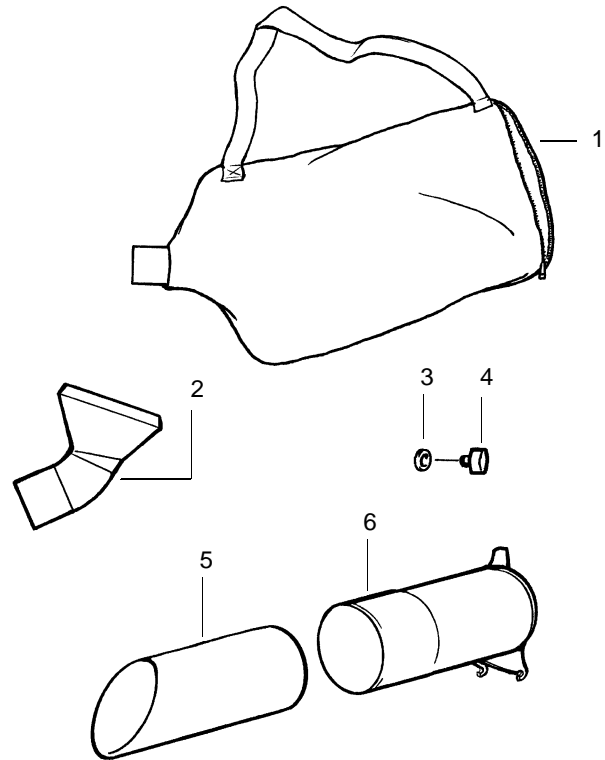
Kit - Carburetor Assy # 530071632 - C1Q-W11C



Note: No Repair kits are available for this carburetor, please order the complete assembly part number 530-071632 (C1Q-W11C)

TYPE 1,2,3

Vacuum Tube Ass'y.



| Ref. | Part No. | Description |
|------|-----------|------------------------|
| 1. | 530095564 | Assy-Vac. Bag w/strap |
| 2. | 530095470 | Tube-Elbow Vac |
| 3. | 530049686 | Retainer-Vac Tube Knob |
| 4. | 530016322 | Knob |
| 5. | 530094476 | Tube-Lower Vac |
| 6. | ***** | Tube-Upper Vac |

***** **Service Note** *****
(When ordering the new upper vac tube 530056901 , items # 3,4 are not required.)